

AIRBUS 330-200

EC-MAJ AIRCRAFT TECHNICAL SPECIFICATIONS

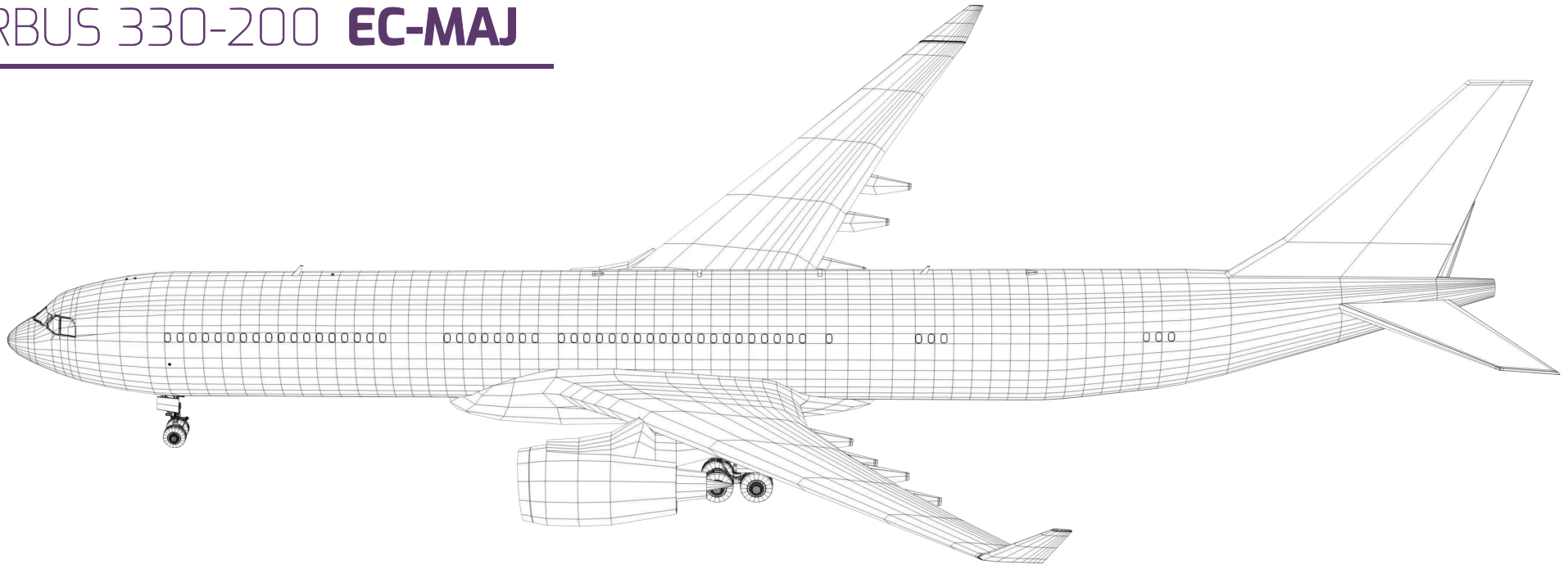
Quality and guarantee
in air transport.



CONF - 2 ECONOMY / BUSINESS

WAMOS
AIR

AIRBUS 330-200 **EC-MAJ**



GENERAL

MANUFACTURER	Airbus
MODEL-VARIANT	A330-243
MSN	992
REGISTRATION	EC-MAJ
E.I.S WAMOS AIR	feb-20

PERFORMANCES

MAX CRUISE ALTITUDE	41.450 ft
MAX SPEED	Mach .86
RANGE WITH MAX PAX	15.000 km

ENGINES

QUANTITY	2
MANUFACTURER	Rolls-Royce
MODEL	TRENT 772B-60/16
MAX THRUST (EACH)	71.100 Lbs

CATERING EQUIPMENT

TROLLEYS	ATLAS Standard
CONTAINERS	SU's Standard
OVEN INSERTS	Atlas standard

APU

MANUFACTURER	Honeywell
MODEL	GTCP331-350C

AIRBUS 330-200 **EC-MAJ**

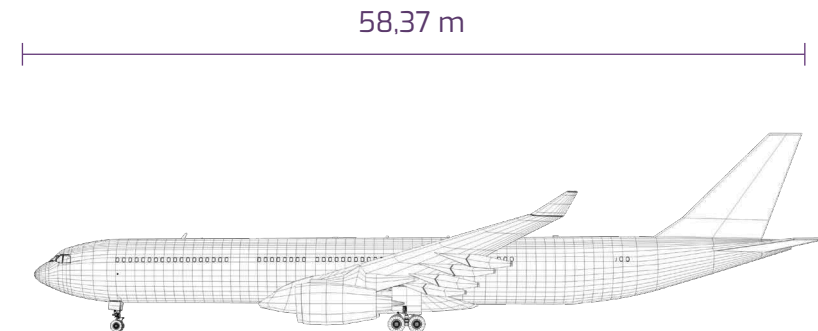
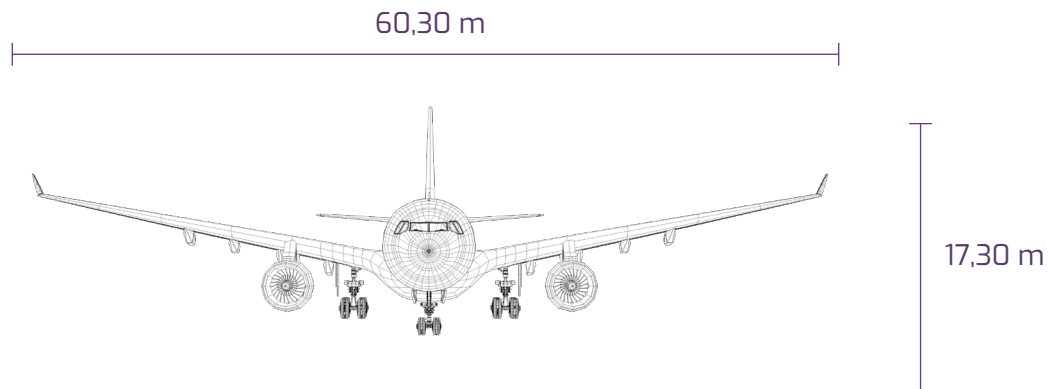
AIRCRAFT DIMENSIONS

DIMENSIONS

LENGTH	58,37 m
HEIGHT	17,30 m
FUSELAGE DIAMETER	5,64 m
CABIN LENGHT	45 m
WINGSPAN	60,30 m

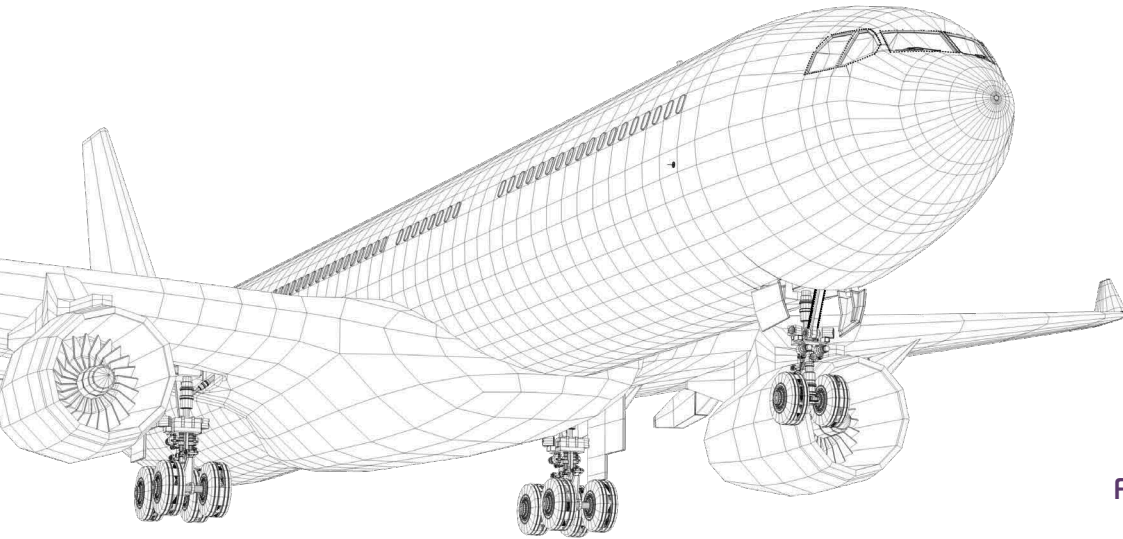
WEIGHT AND VOLUMES

MAX TAKEOFF WEIGHT	233.000 kg
MAX LANDING WEIGHT	180.000 kg
MAX ZERO FUEL WEIGHT	168.000 kg
DRY OPERATING WEIGHT	125.300kg
FUEL CAPACITY	139.090 lts
PAYLOAD	42.700 kg
CARGO CAPACITY	37.578 kg



AIRBUS 330-200 **EC-MAJ**

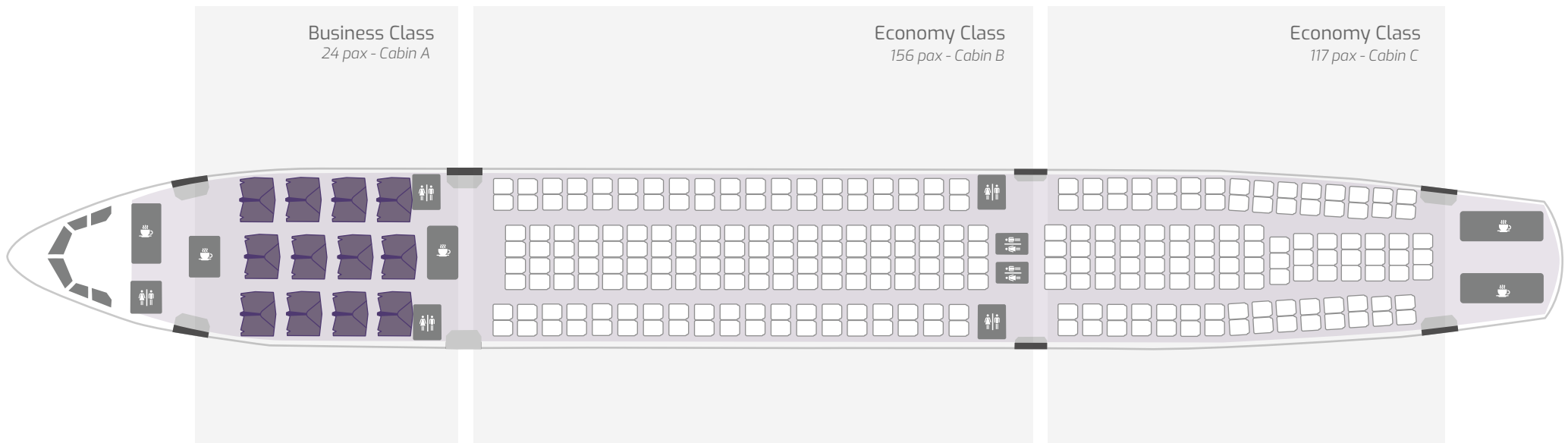
CARGO SPECIFICATIONS



	FWD HOLD (1+2)	AFT HOLD (3+4)	HOLD 5
MAX. LOAD WEIGHT PER CARGO HOLD	18.869 kg	15.241 kg	3.468 kg
MAX. VOLUME PER CARGO HOLD	60,6 m ³	53,6 m ³	19,68 m ³
MAX. WEIGHT/VOL. PER PALLET TYPE	PMC (P6P) 5.100 kg/17,1 m ³ PAG (P6P) 4.600 kg/10,5 m ³		- -
MAX. WEIGHT/VOL. PER CONTAINER TYPE	AKE (LD3) 1.580 kg/4,30 m ³		-
CARGO CONFIGURATION	4PMC/4PAG + 2AKE or 14 AKE	4PMC/4PAG or 12 AKE	BULK
TEMPERATURE CONTROL	-----	-----	BULK
VENTILATION HOLD	-----	-----	BULK

AIRBUS 330-200 **EC-MAJ**

CABIN CONFIGURATION



CURRENT PASSENGER SEATING

297 seats

CABIN CONFIGURATION

24 Business / 273 Economy

SEATING PITCH

58" Business / 32"-30" Economy

IN FLIGHT ENTERTAINMENT SYSTEM

Inseat Monitors Business & Economy Class

■ Business class

□ Economy class

● Lavatories

● Galleys

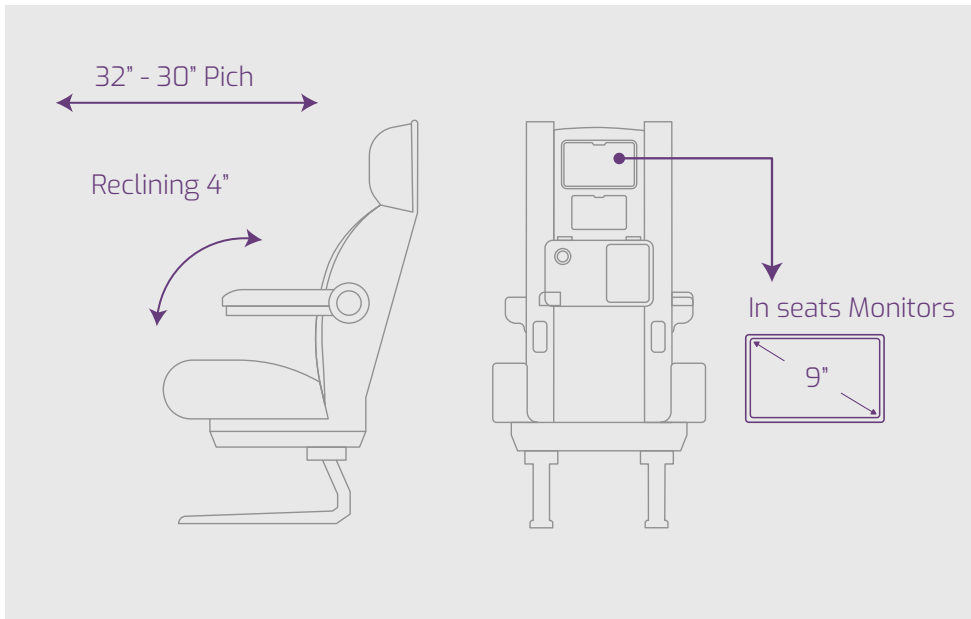
■ Door

◀ Cockpit

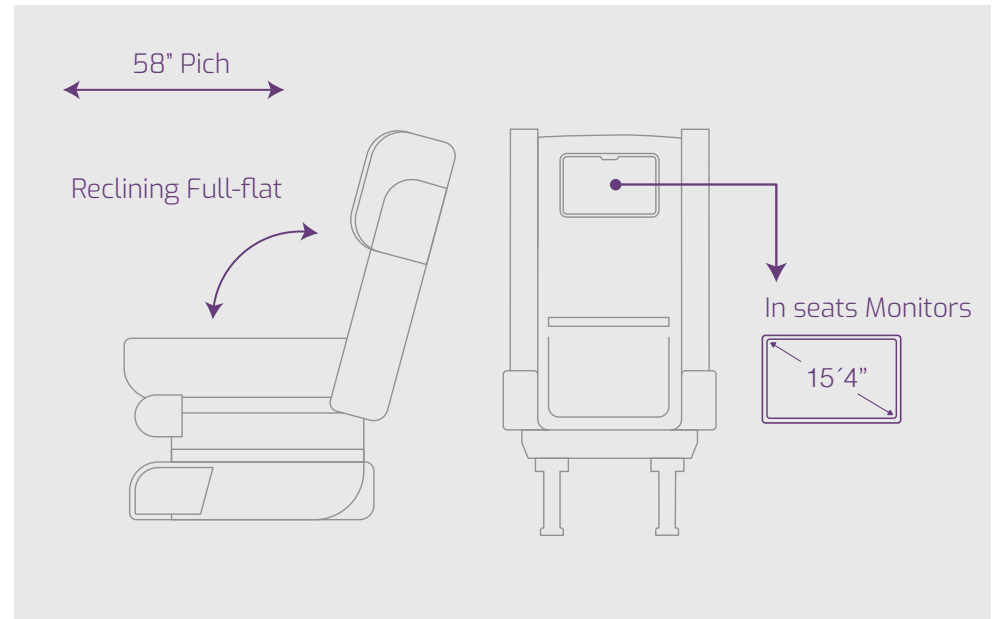
AIRBUS 330-200 **EC-MAJ**

SEATING SPECIFICATIONS

ECONOMY CLASS



BUSINESS CLASS



SEATING PITCH

32" - 30" (Economy) / 58" (Business)

IN FLIGHT ENTERTAINMENT SYSTEM

In seat monitors 9" (Economy) / 15,4" (Business)

EARPHONES

Double-Pin (Economy) / Double Pin + Noise Cancelling (Business)

USB

No (Economy) / Yes (Business)

AIRBUS 330-200 **EC-MAJ**

INSIDE THE AIRCRAFT - ECONOMY CLASS



AIRBUS 330-200 **EC-MAJ**

INSIDE THE AIRCRAFT - ECONOMY CLASS



AIRBUS 330-200 **EC-MAJ**

INSIDE THE AIRCRAFT - BUSINESS CLASS



AIRBUS 330-200 **EC-MAJ**

INSIDE THE AIRCRAFT - BUSINESS CLASS





HOW CAN WE HELP YOU?

The best professionals available 24 hours
and ready to take off
anywhere in the world in 3H.

Calle Mahonia, 2 · 28043, Madrid, Spain

OCC (+34) 670 063 701 (24H) · occ@wamosair.com

CHARTER (+34) 630 259 771 · charter@wamosair.com

wamosair.com

