

# AIRBUS 330-200

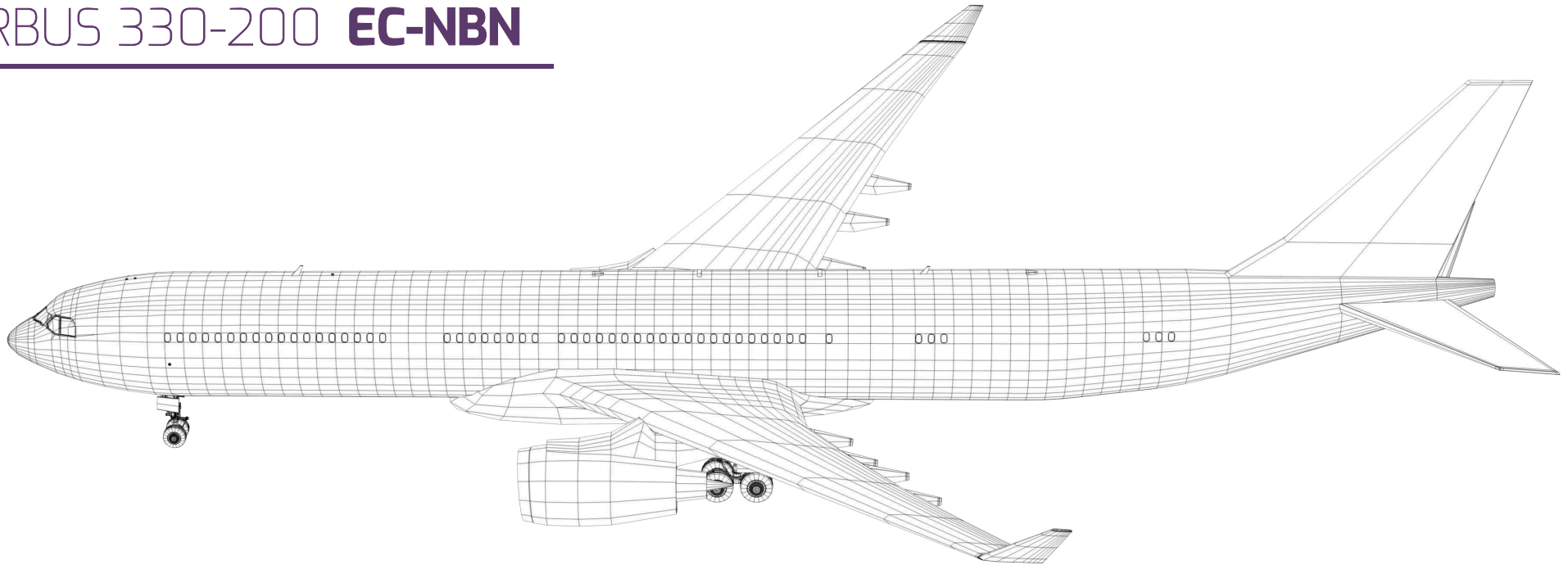
## **EC-NBN** AIRCRAFT TECHNICAL SPECIFICATIONS

Quality and guarantee  
in air transport.



**WAMOS**  
AIR

# AIRBUS 330-200 **EC-NBN**



## GENERAL

MANUFACTURER	Airbus
MODEL-VARIANT	A330-243
MSN	818
REGISTRATION	<b>EC-NBN</b>
E.I.S WAMOS AIR	may-19

## PERFORMANCES

MAX CRUISE ALTITUDE	41.450 ft
MAX SPEED	Mach .86
RANGE WITH MAX PAX	15.000 km

## ENGINES

QUANTITY	2
MANUFACTURER	Rolls-Royce
MODEL	TRENT 772C-60
MAX THRUST (EACH)	71.100 Lbs

## CATERING EQUIPMENT

TROLLEYS	ATLAS Standard
CONTAINERS	SU's Standard
OVEN INSERTS	Atlas standard

## APU

MANUFACTURER	Honeywell
MODEL	GTCP331-350C

# AIRBUS 330-200 **EC-NBN**

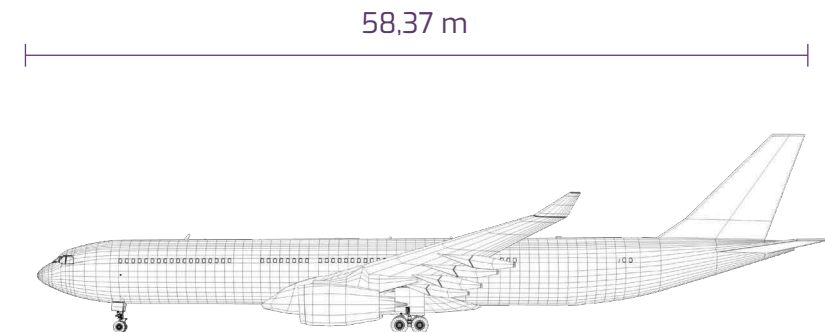
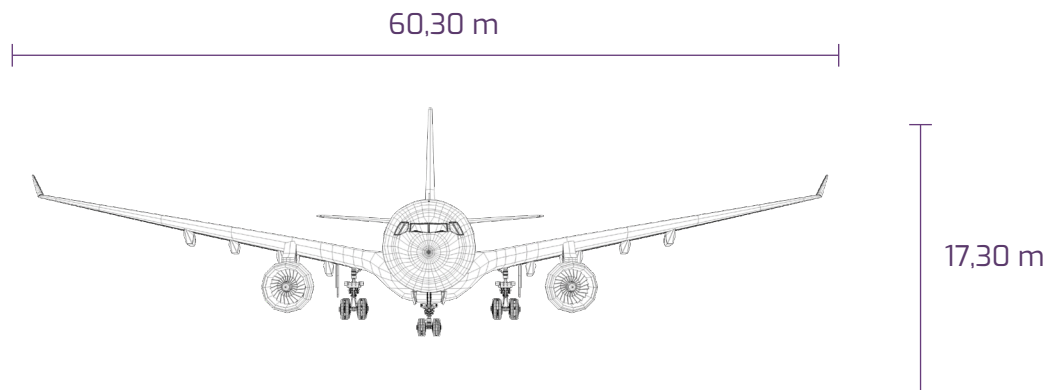
## AIRCRAFT DIMENSIONS

### DIMENSIONS

LENGTH	58,37 m
HEIGHT	17,30 m
FUSELAGE DIAMETER	5,64 m
CABIN LENGHT	45 m
WINGSPAN	60,30 m

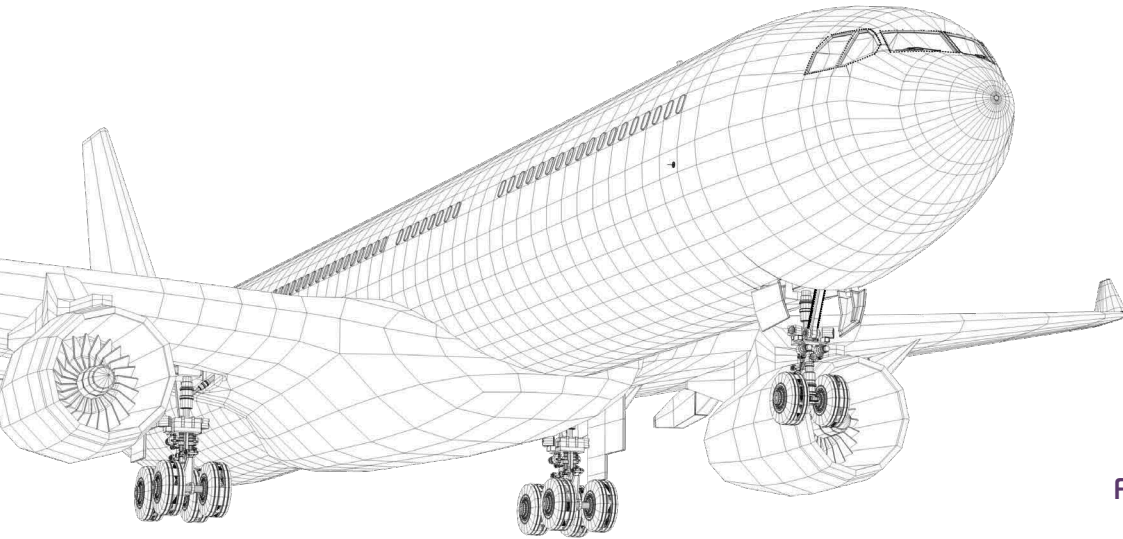
### WEIGHT AND VOLUMES

MAX TAKEOFF WEIGHT	238.000 kg
MAX LANDING WEIGHT	182.000 kg
MAX ZERO FUEL WEIGHT	168.000 kg
DRY OPERATING WEIGHT	124.000 kg
FUEL CAPACITY	139.090 lts
PAYLOAD	44.000 kg
CARGO CAPACITY	37.578 kg



# AIRBUS 330-200 **EC-NBN**

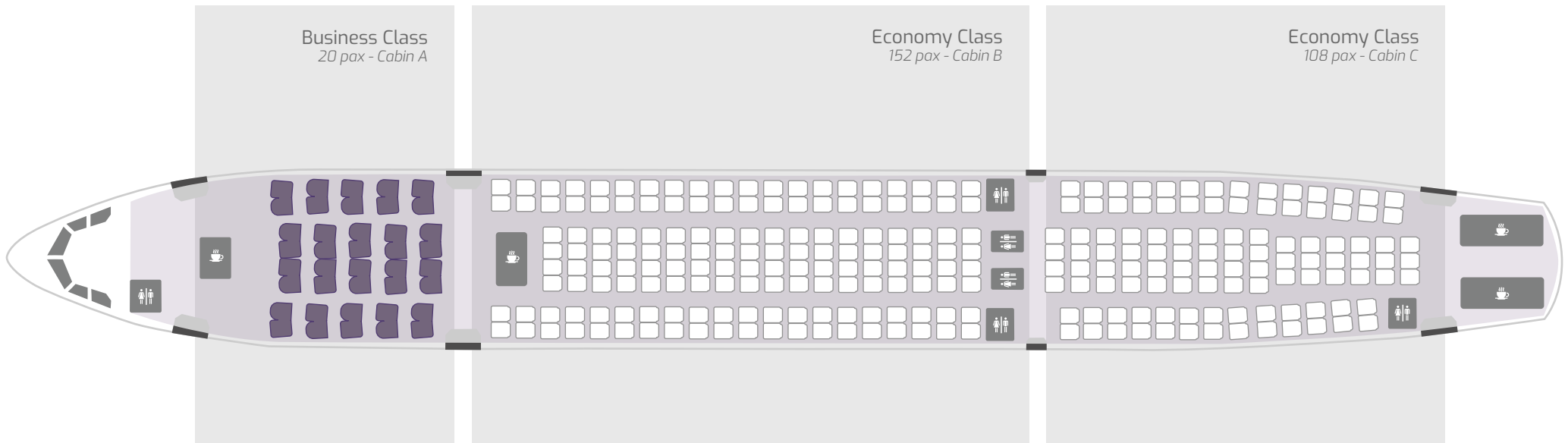
## CARGO SPECIFICATIONS



	<b>FWD HOLD (1+2)</b>	<b>AFT HOLD (3+4)</b>	<b>HOLD 5</b>
<b>MAX. LOAD WEIGHT PER CARGO HOLD</b>	18.869 kg	15.241 kg	3.468 kg
<b>MAX. VOLUME PER CARGO HOLD</b>	60,6 m <sup>3</sup>	53,6 m <sup>3</sup>	19,68 m <sup>3</sup>
<b>MAX. WEIGHT/VOL. PER PALLET TYPE</b>	PMC (P6P) 5.100 kg/17,1 m <sup>3</sup> PAG (P6P) 4.600 kg/10,5 m <sup>3</sup>		- -
<b>MAX. WEIGHT/VOL. PER CONTAINER TYPE</b>	AKE (LD3) 1.580 kg/4,30 m <sup>3</sup>		-
<b>CARGO CONFIGURATION</b>	4PMC/4PAG + 2AKE or 14 AKE	4PMC/4PAG or 12 AKE	BULK
<b>TEMPERATURE CONTROL</b>	FWD	-----	BULK
<b>VENTILATION HOLD</b>	FWD	AFT	BULK

# AIRBUS 330-200 **EC-NBN**

## CABIN CONFIGURATION



**CURRENT PASSENGER SEATING**

280 seats

**CABIN CONFIGURATION**

20 Business /260 Economy

**SEATING PITCH**

58" Business (Full Flat) / 32" Economy

**IN FLIGHT ENTERTAINMENT SYSTEM**

Inseat Monitors Business & Economy Class

■ Business class

□ Economy class

● Lavatories

● Galleys

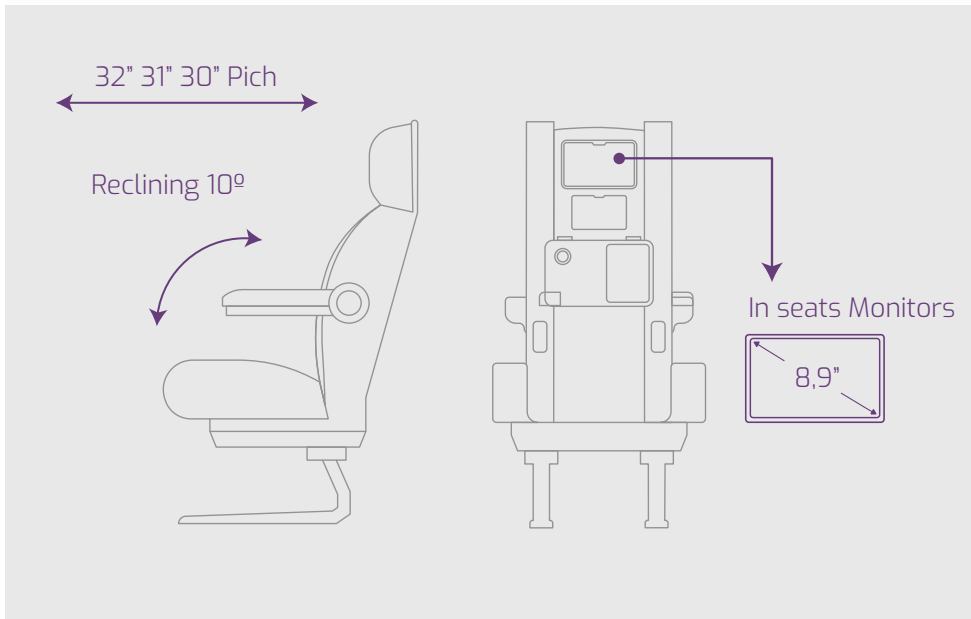
■ Door

◀ Cockpit

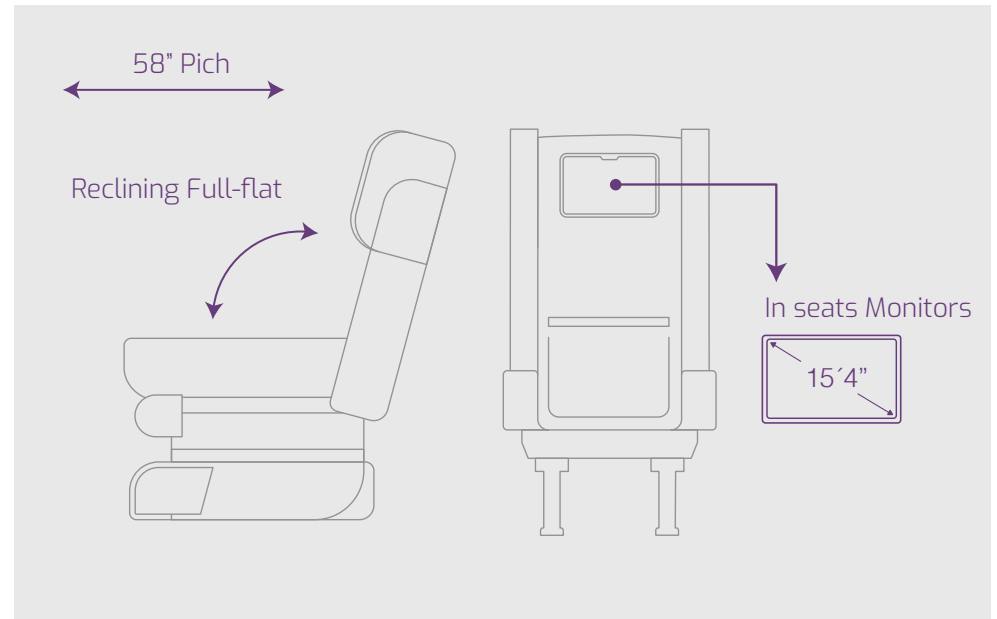
# AIRBUS 330-200 **EC-NBN**

SEATING SPECIFICATIONS

## ECONOMY CLASS



## BUSINESS CLASS



### SEATING PITCH

32" 31" 30" (Economy) / 58" (Business)

### IN FLIGHT ENTERTAINMENT SYSTEM

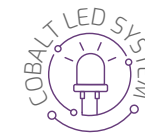
Inseat monitors 8,9" (Economy) / 15,4" (Business)

### EARPHONES

Jack 3.5mm (Single-Pin) (Economy) / Single Pin + Noise Cancelling (Business)

### USB

Yes (Economy) / Yes (Business)



Variety of colors  
High homogeneity  
Customizable ambiance

# AIRBUS 330-200 **EC-NBN**

*INSIDE THE AIRCRAFT - ECONOMY CLASS*



# AIRBUS 330-200 **EC-NBN**

INSIDE THE AIRCRAFT - ECONOMY CLASS





# AIRBUS 330-200 **EC-NBN**

*INSIDE THE AIRCRAFT - ECONOMY CLASS*



# AIRBUS 330-200 **EC-NBN**

*INSIDE THE AIRCRAFT - BUSINESS CLASS*



# AIRBUS 330-200 **EC-NBN**

INSIDE THE AIRCRAFT - BUSINESS CLASS





## HOW CAN WE HELP YOU?

---

The best professionals available 24 hours  
and ready to take off  
anywhere in the world in 3H.

Calle Mahonia, 2 · 28043, Madrid, Spain

OCC (+34) 670 063 701 (24H) · [occ@wamosair.com](mailto:occ@wamosair.com)

CHARTER (+34) 630 259 771 · [charter@wamosair.com](mailto:charter@wamosair.com)

[wamosair.com](http://wamosair.com)

