

AIRBUS 330-300

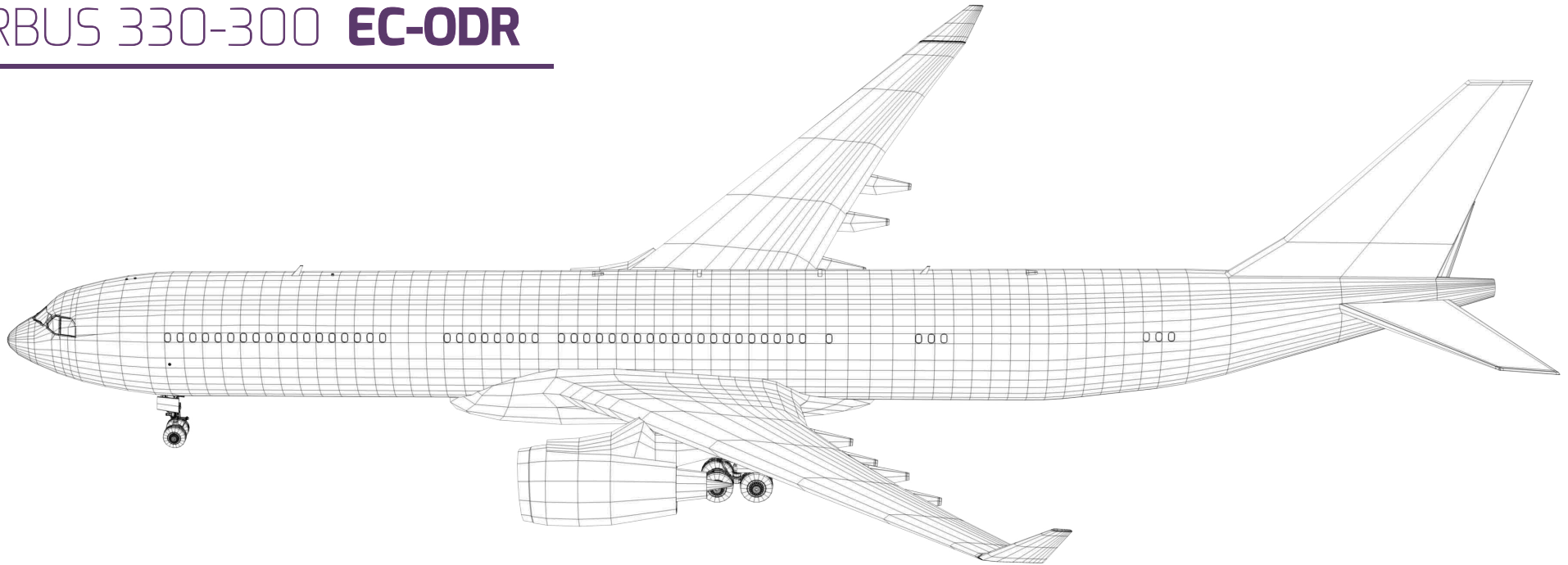
EC-ODR AIRCRAFT TECHNICAL SPECIFICATIONS

Quality and guarantee
in air transport.



WAMOS
AIR

AIRBUS 330-300 **EC-ODR**



GENERAL

MANUFACTURER	Airbus
MODEL-VARIANT	A330-343
MSN	1103
REGISTRATION	EC-ODR
E.I.S WAMOS AIR	Sept-24

PERFORMANCES

MAX CRUISE ALTITUDE	41.450 ft
MAX SPEED	Mach .86
RANGE WITH MAX PAX	11.750 km

ENGINES

QUANTITY	2
MANUFACTURER	Rolls-Royce
MODEL	TRENT 772B-60
MAX THRUST (EACH)	71.100 Lbs

CATERING EQUIPMENT

TROLLEYS	ATLAS Standard
CONTAINERS	SU's Standard
OVEN INSERTS	Atlas standard

APU

MANUFACTURER	Honeywell
MODEL	GTCP331-350C

AIRBUS 330-300 **EC-ODR**

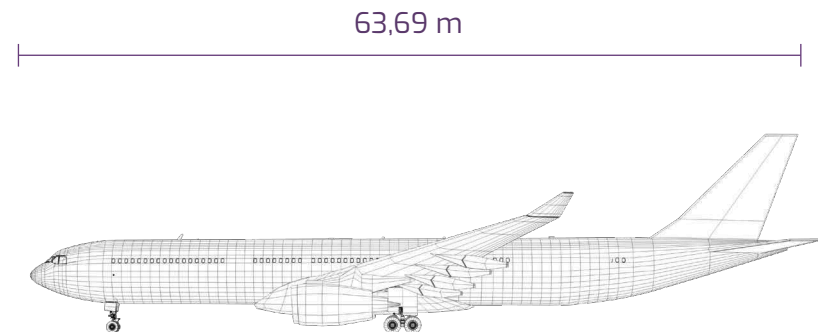
AIRCRAFT DIMENSIONS

DIMENSIONS

LENGTH	63,69 m
HEIGHT	16,83 m
FUSELAGE DIAMETER	5,64 m
CABIN LENGHT	50,36 m
WINGSPAN	60,30 m

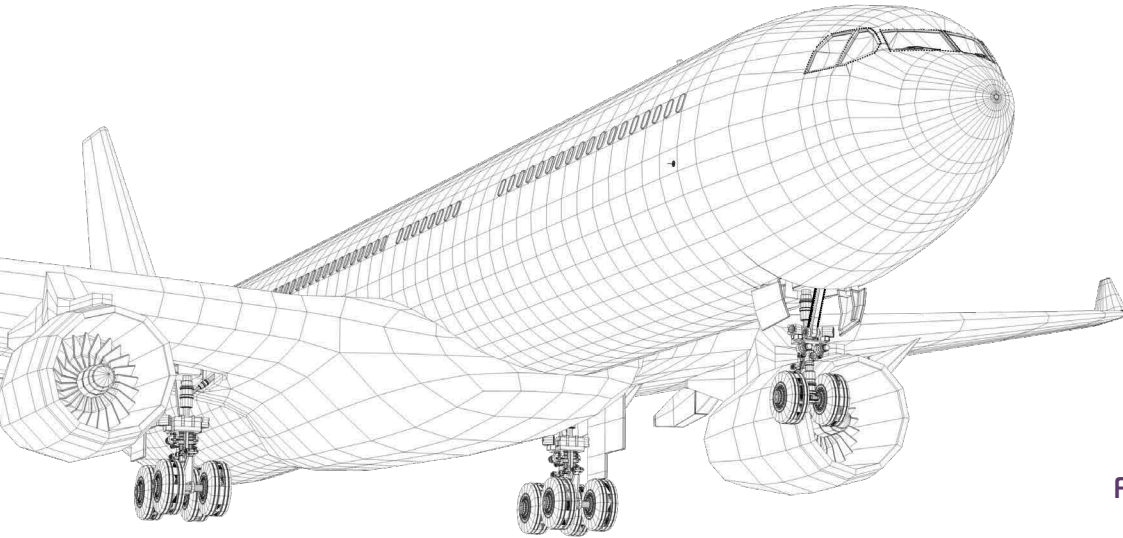
WEIGHT AND VOLUMES

MAX TAKEOFF WEIGHT	233.000 kg
MAX LANDING WEIGHT	187.000 kg
MAX ZERO FUEL WEIGHT	175.000 kg
DRY OPERATING WEIGHT	123.500 kg
FUEL CAPACITY	97.530 lts
PAYLOAD	51.500 kg
CARGO CAPACITY	44.836 kg



AIRBUS 330-300 **EC-ODR**

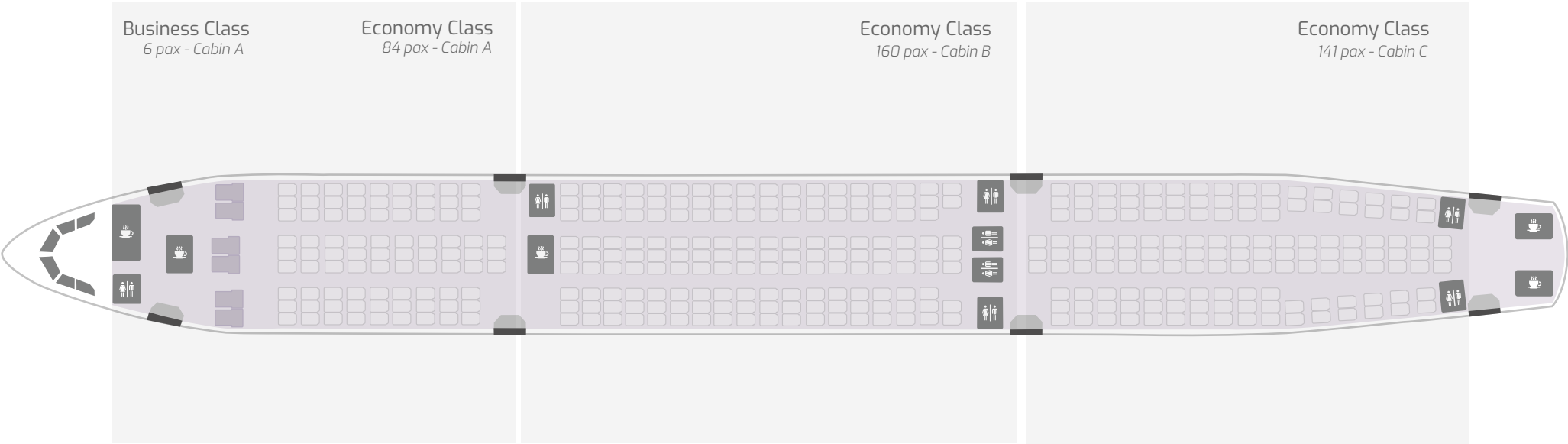
CARGO SPECIFICATIONS



	FWD HOLD (1+2)	AFT HOLD (3+4)	HOLD 5
MAX. LOAD WEIGHT PER CARGO HOLD	22.861 kg	18.507 kg	3.468 kg
MAX. VOLUME PER CARGO HOLD	102 m ³	68,5 m ³	19,68 m ³
MAX. WEIGHT/VOL. PER PALLET TYPE	PMC (P6P) 5.100 kg/11,5 m ³ PAG (P6P) 4.600 kg/10,5 m ³		-
MAX. WEIGHT/VOL. PER CONTAINER TYPE	AKE (LD3) 1.580 kg/4,30 m ³		-
CARGO CONFIGURATION	6PAG/6PMC or 18 AKE	5PAG/4PMC or 14 AKE	BULK
TEMPERATURE CONTROL	-----	-----	BULK
VENTILATION HOLD	-----	-----	BULK

AIRBUS 330-300 EC-ODR

CABIN CONFIGURATION



CURRENT PASSENGER SEATING

391 seats

CABIN CONFIGURATION

6 Business / 385 Economy

SEATING PITCH

54" Business / 31" 30" Economy

IN FLIGHT ENTERTAINMENT SYSTEM

Inseat Monitors Economy Class

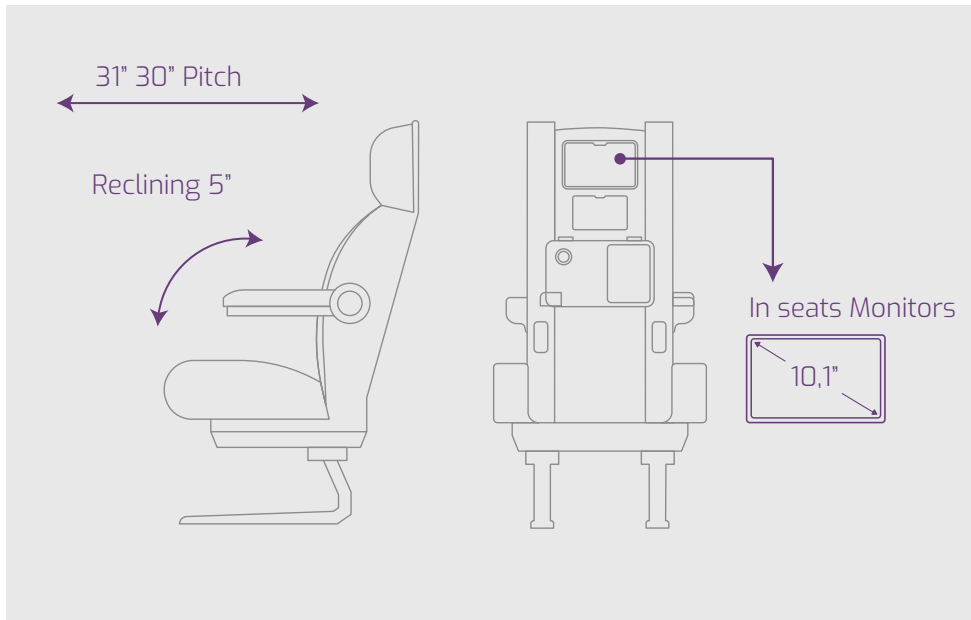
Legend for cabin configuration diagram:

- Business class
- Economy class
- Lavatories
- Galleys
- Door
- Cockpit

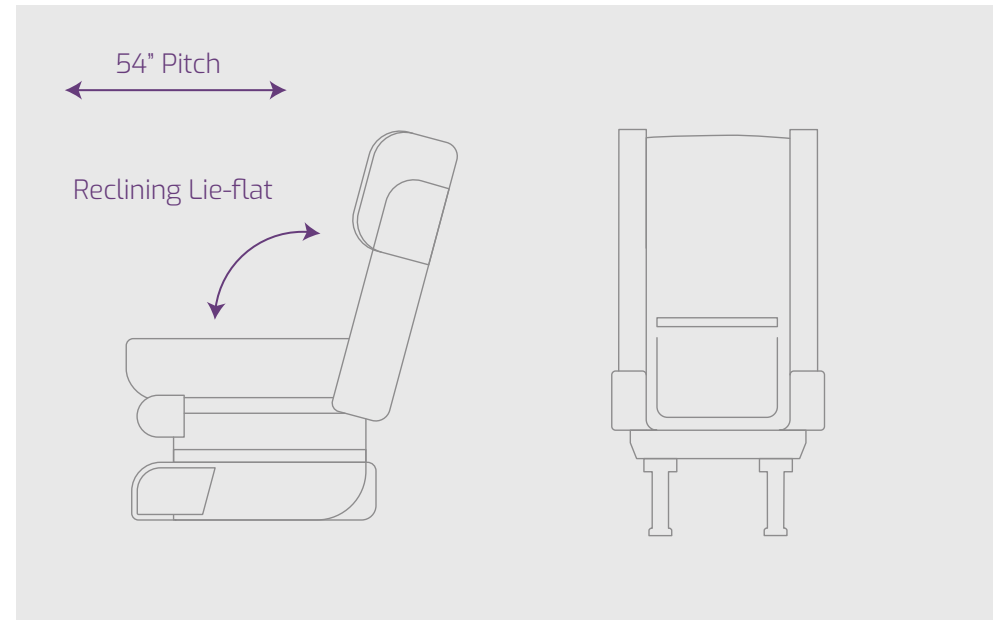
AIRBUS 330-300 **EC-ODR**

SEATING SPECIFICATIONS

ECONOMY CLASS



BUSINESS CLASS



SEATING PITCH

32" 31" (Economy) / 54" (Business)

IN FLIGHT ENTERTAINMENT SYSTEM

Inseat monitors 10,1" (Economy)

EARPHONES

Single-Pin (Economy) / Double Pin + Noise Cancelling (Business)

USB

YES (Economy) / YES (Business)

CHARGER

NO (Economy) / YES (Business)

AIRBUS 330-300 **EC-ODR**

INSIDE THE AIRCRAFT - ECONOMY CLASS



AIRBUS 330-300 **EC-ODR**

INSIDE THE AIRCRAFT - ECONOMY CLASS



AIRBUS 330-300 **EC-ODR**

INSIDE THE AIRCRAFT - BUSINESS CLASS



AIRBUS 330-300 **EC-ODR**

INSIDE THE AIRCRAFT - BUSINESS CLASS





HOW CAN WE HELP YOU?

The best professionals available 24 hours
and ready to take off
anywhere in the world in 3H.

Calle Mahonia, 2 · 28043, Madrid, Spain

OCC (+34) 670 063 701 (24H) · occ@wamosair.com

CHARTER (+34) 630 259 771 · charter@wamosair.com

wamosair.com

