

AIRBUS 330-200

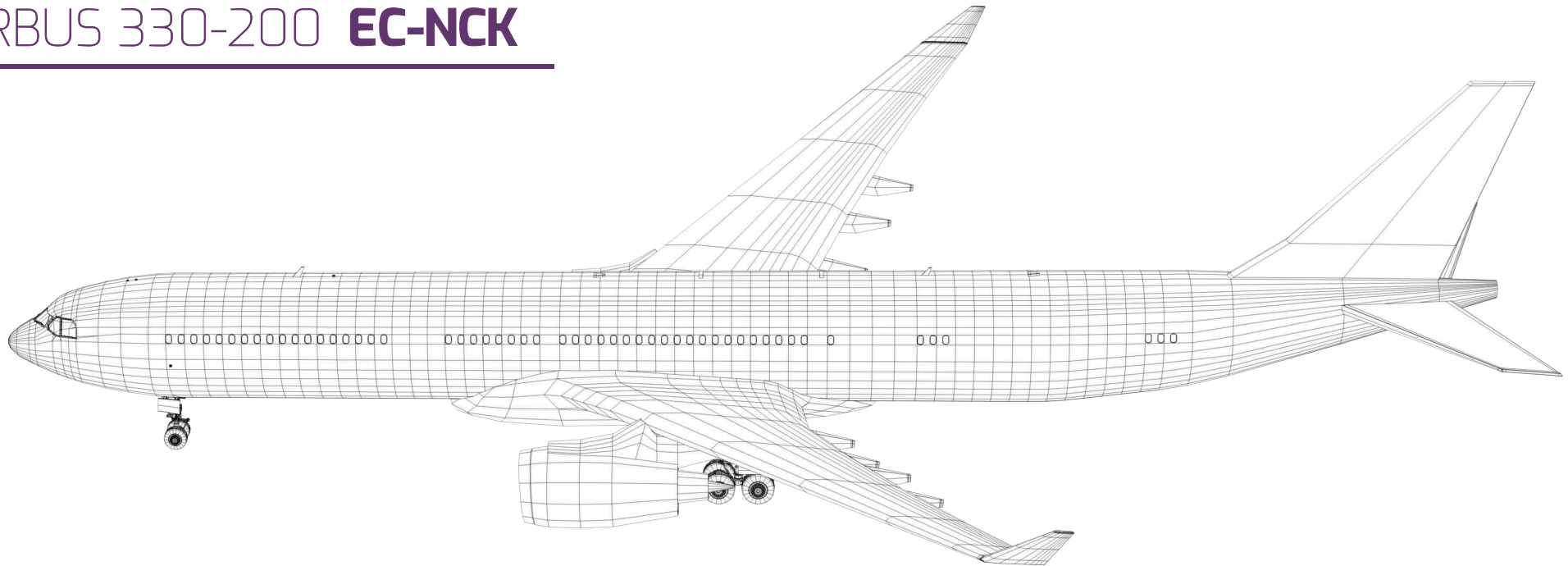
EC-NCK AIRCRAFT TECHNICAL SPECIFICATIONS

Quality and guarantee
in air transport.



WAMOS
AIR

AIRBUS 330-200 **EC-NCK**



GENERAL

MANUFACTURER	Airbus
MODEL-VARIANT	A330-243
MSN	840
REGISTRATION	EC-NCK
E.I.S WAMOS AIR	jun-19

PERFORMANCES

MAX CRUISE ALTITUDE	41.450 ft
MAX SPEED	Mach .86
RANGE WITH MAX PAX	15.000 km

ENGINES

QUANTITY	2
MANUFACTURER	Rolls-Royce
MODEL	TRENT 772C-60
MAX THRUST (EACH)	71.100 Lbs

CATERING EQUIPMENT

TROLLEYS	ATLAS Standard
CONTAINERS	SU's Standard
OVEN INSERTS	Atlas standard

APU

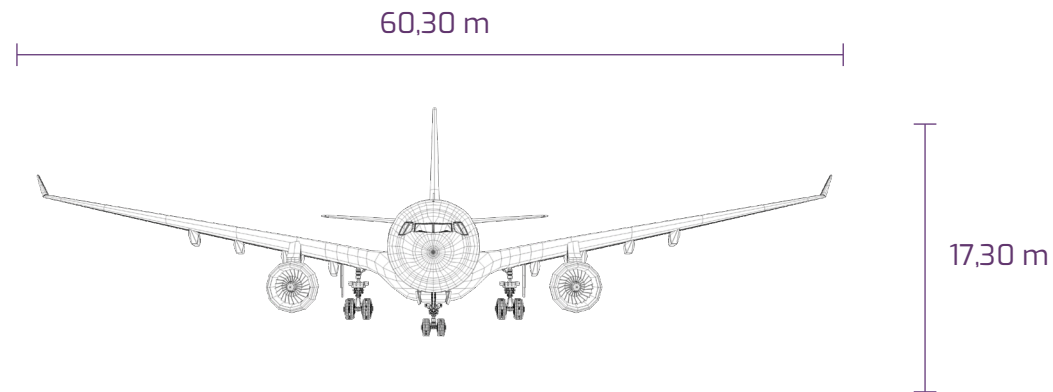
MANUFACTURER	Honeywell
MODEL	GTCP331-350C

AIRBUS 330-200 **EC-NCK**

AIRCRAFT DIMENSIONS

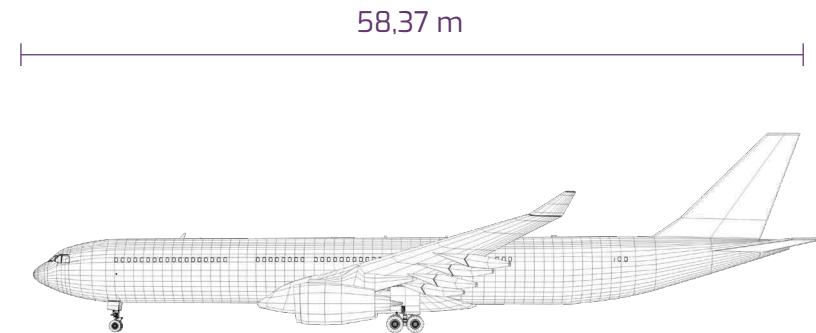
DIMENSIONS

LENGTH	58,37 m
HEIGHT	17,30 m
FUSELAGE DIAMETER	5,64 m
CABIN LENGHT	45 m
WINGSPAN	60,30 m



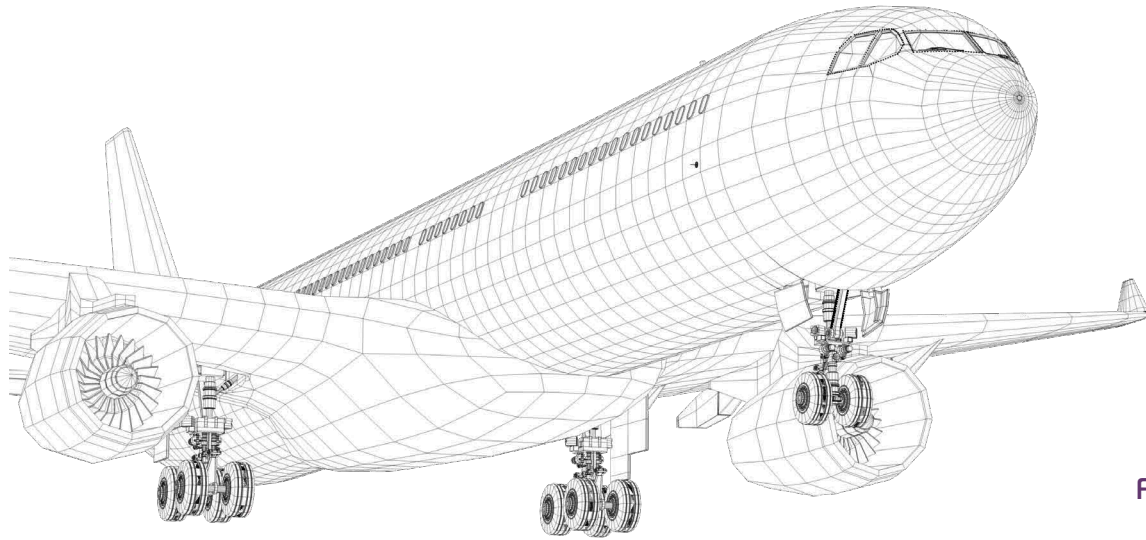
WEIGHT AND VOLUMES

MAX TAKEOFF WEIGHT	233.000 kg
MAX LANDING WEIGHT	182.000 kg
MAX ZERO FUEL WEIGHT	170.000 kg
DRY OPERATING WEIGHT	124.900 kg
FUEL CAPACITY	139.090 lts
PAYLOAD	45.100 kg
CARGO CAPACITY	37.578 kg



AIRBUS 330-200 EC-NCK

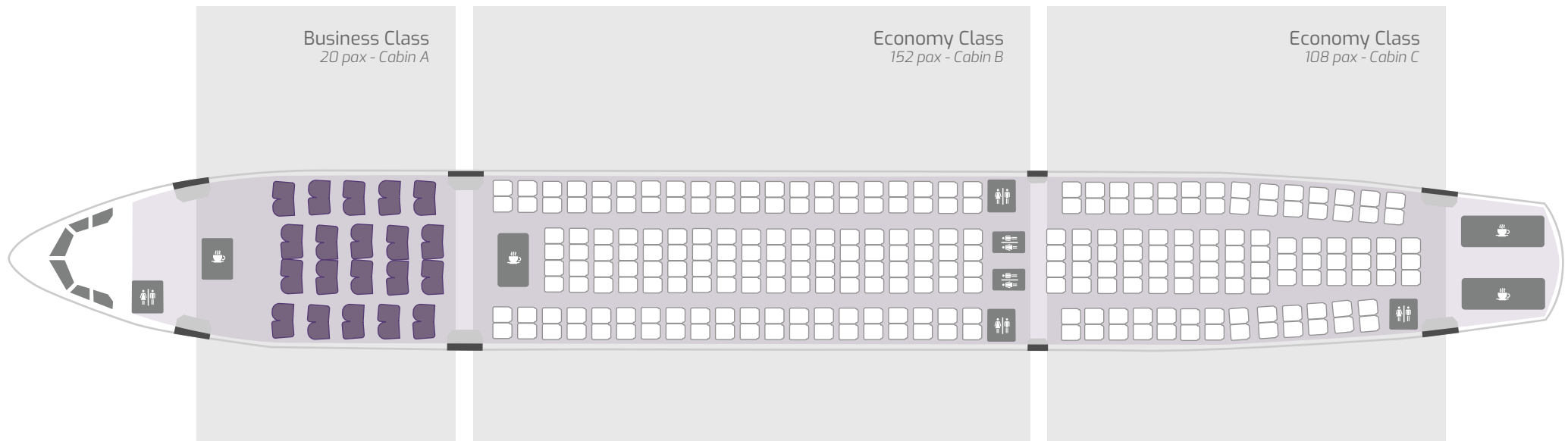
CARGO SPECIFICATIONS



	FWD HOLD (1+2)	AFT HOLD (3+4)	HOLD 5
MAX. LOAD WEIGHT PER CARGO HOLD	18.869 kg	15.241 kg	3.468 kg
MAX. VOLUME PER CARGO HOLD	60,6 m ³	53,6 m ³	19,68 m ³
MAX. WEIGHT/VOL. PER PALLET TYPE	PMC (P6P) 5.100 kg/17,1 m ³ PAG (P6P) 4.600 kg/10,5 m ³		- -
MAX. WEIGHT/VOL. PER CONTAINER TYPE		AKE (LD3) 1.580 kg/4,30 m ³	-
CARGO CONFIGURATION	4PMC/4PAG + 2AKE or 14 AKE	4PMC/4PAG or 12 AKE	BULK
TEMPERATURE CONTROL	FWD	-----	BULK
VENTILATION HOLD	FWD	AFT	BULK

AIRBUS 330-200 **EC-NCK**

CABIN CONFIGURATION



CURRENT PASSENGER SEATING

280 seats

CABIN CONFIGURATION

20 Business / 260 Economy

SEATING PITCH

58" Business (Full Flat) / 32" Economy

IN FLIGHT ENTERTAINMENT SYSTEM

Inseat Monitors Business & Economy Class

■ Business class

□ Economy class

⚓ Lavatories

☪ Galleys

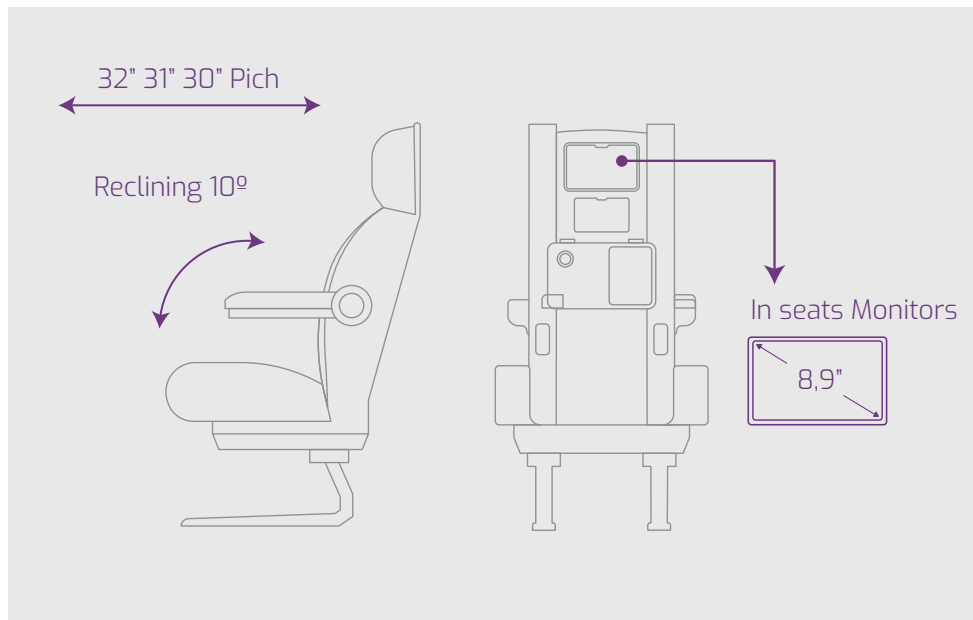
▬ Door

◀ Cockpit

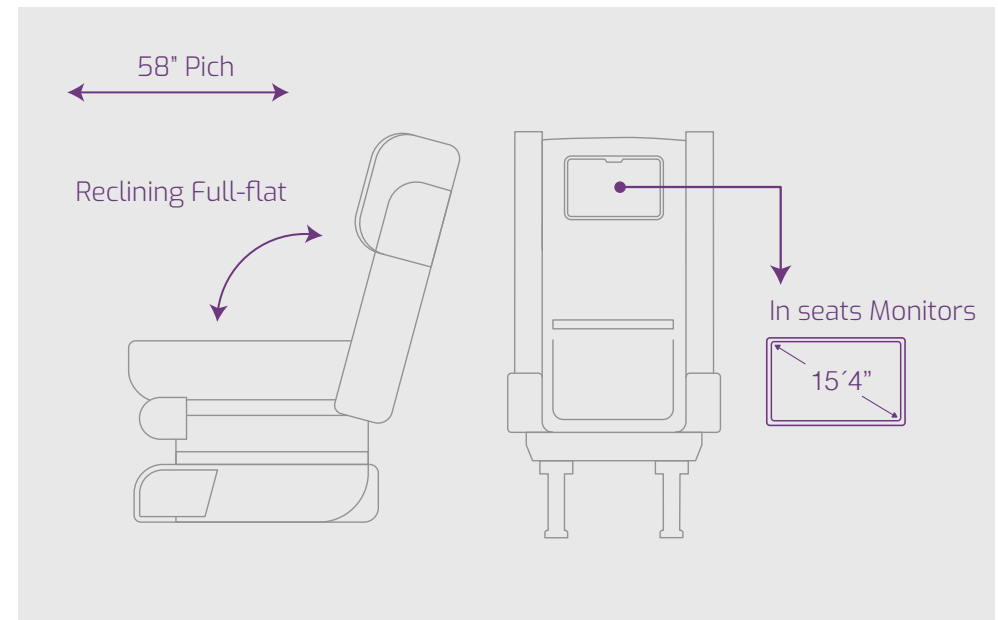
AIRBUS 330-200 **EC-NCK**

SEATING SPECIFICATIONS

ECONOMY CLASS



BUSINESS CLASS



SEATING PITCH

32" 31" 30" (Economy) / 58" (Business)

IN FLIGHT ENTERTAINMENT SYSTEM

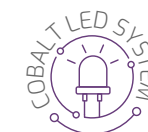
Inseat monitors 8,9" (Economy) / 15,4" (Business)

EARPHONES

Jack 3.5mm (Single-Pin) (Economy) / Single Pin + Noise Cancelling (Business)

USB

Yes (Economy) / Yes (Business)



Variety of colors
High homogeneity
Customizable ambiance

AIRBUS 330-200 **EC-NCK**

INSIDE THE AIRCRAFT - ECONOMY CLASS



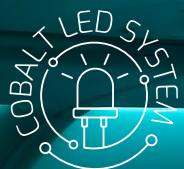
AIRBUS 330-200 **EC-NCK**

INSIDE THE AIRCRAFT - ECONOMY CLASS



AIRBUS 330-200 **EC-NCK**

INSIDE THE AIRCRAFT - ECONOMY CLASS



AIRBUS 330-200 **EC-NCK**

INSIDE THE AIRCRAFT - BUSINESS CLASS



AIRBUS 330-200 **EC-NCK**

INSIDE THE AIRCRAFT - BUSINESS CLASS





HOW CAN WE HELP YOU?

The best professionals available 24 hours
and ready to take off
anywhere in the world in 3H.

Calle Mahonia, 2 · 28043, Madrid, Spain

OCC (+34) 670 063 701 (24H) · occ@wamosair.com

CHARTER (+34) 630 259 771 · charter@wamosair.com

wamosair.com

